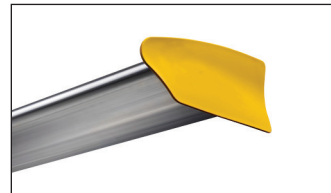


Lightweight and pre-wired for easy installation, ShopFan by Big Ass Fans® is an impressive and economical fan package for workshops, small manufacturing facilities, and industrial spaces. Easy installation, superb performance and year-round energy savings — just what you'd expect from Big Ass Fans.

EASY INSTALLATION FOR SMALLER SHOPS

- **Convenient Installation** — Lightweight and pre-wired for easier, faster installation; plug and play in any 110–125 V, 20 A receptacle
- **Airfoils** — Six patented aluminum airfoils (mill finish)
- **Winglets** — Cuffed winglets eliminate wind noise (safety yellow)
- **Motor and Gearbox** — Industrial-grade motor and gearbox feature inline helical-cut gears for efficient, durable, and reliable operation; lubricated for life with synthetic oil
- **Hub System** — Machine-cut precision components for uniform load distribution
- **Controller** — NEMA 4X variable speed drive is pre-wired to the motor with a 50-foot (15.2 m) cord and includes a 10-foot (3 m) AC supply power cord
- **Mounting** — Standard mount with 36-inch (914 mm) extension tube install to I-beams and angle iron; optional kits allow for mounting to large I-beams, solid beams, Z-purlins, and pitched roofs
- **Safety Features** — Airfoil retainers, hub retainer clips, safety cables, Grade 8 bolts, fire relay (must be wired if required by local code)
- **Efficiency** — Moves more air than 70 standard ceiling fans at just a fraction of the operating cost



The unique aerodynamic design eliminates vortex formation at the airfoil tips.

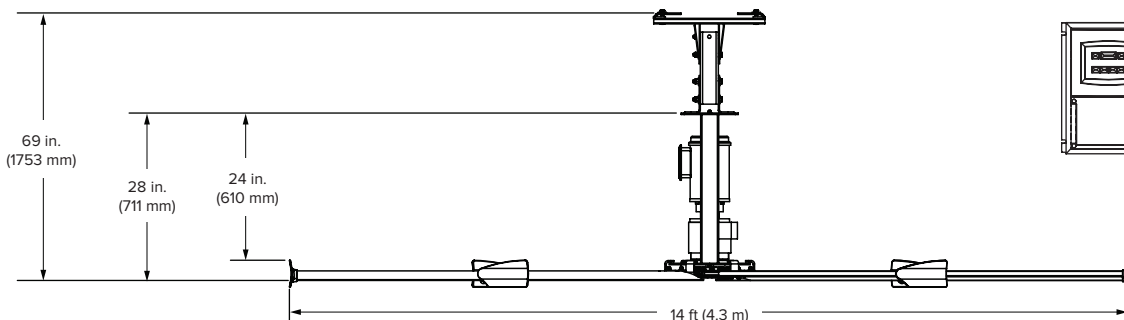
Technical Specifications

Diameter (A)	Weight ¹	Max speed	Airfoil clearances ²	Input power and required breaker	Max amps	Motor	Sound at max speed ³
14 ft (4.3 m)	145 lb (65.8 kg)	101 RPM	10 ft (3 m) above floor 2 ft (0.6 m) on sides 5 ft (1.5 m) below ceiling deck	100–125 VAC, 50/60 Hz, 1 Φ, 20 A	11 A	1.0 hp (0.75 kW)	< 55 dBA

¹ Weight does not include mount or extension tube.

² Measure the distance from the tip of the winglet to the ceiling or major obstruction.

³ Fans are sound tested at maximum speed in a laboratory environment. Actual results in field conditions may vary due to sound reflecting surfaces and environmental conditions.



VFD Dimensions

Height: 8 in. (203 mm)
Width: 6.28 in. (160 mm)
Depth: 4.47 in. (114 mm)



Certified to UL 507 and CSA C22.2

Lead times may vary.
See full warranty for coverage information.
Specifications subject to change without notice.



AMERICAS
BIGASSOLUTIONS.COM
877-244-3267

CANADA
BIGASSOLUTIONS.COM/CA
844-924-4277

AUSTRALIA
BIGASSOLUTIONS.COM/AU
1-300-244-277

HONG KONG
BIGASSOLUTIONS.COM/HK
+852 2836 5808

SINGAPORE
BIGASSOLUTIONS.COM/SG
+65 6709 8500

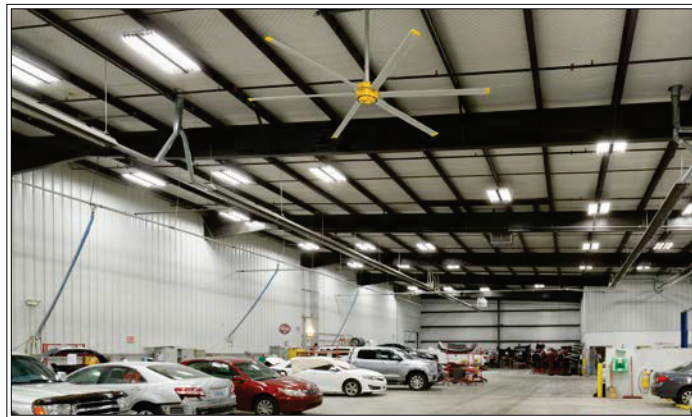
MALAYSIA
+603 5565 0888



E12

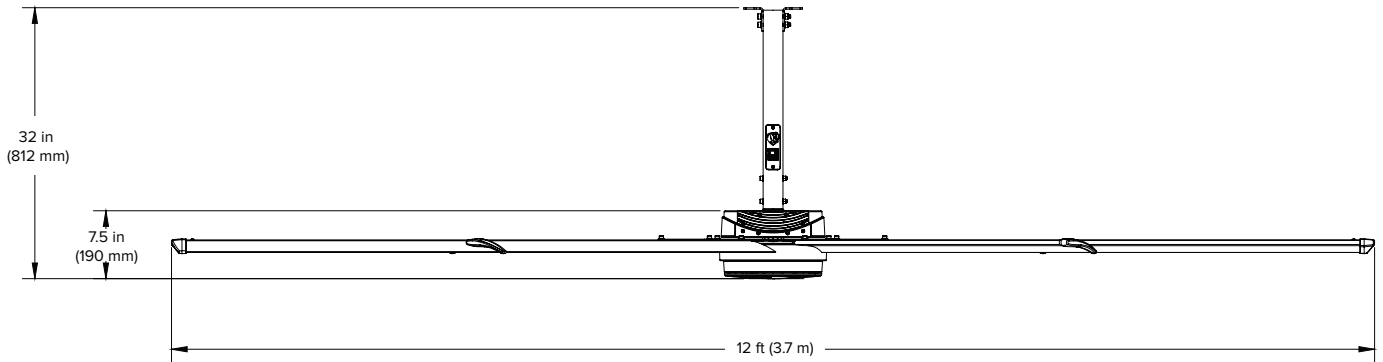
Big air movement for big spaces

E12 is an essential money-saving machine and a work of art. With a 12-ft (3.7-m) wingspan, E12 excels in indoor spaces with ceilings as low as 14 feet. The high-efficiency, sensorless direct drive motor provides the air movement that large spaces crave. Whether it's spinning in an auto shop, a warehouse or a factory, E12 creates massive, noise-free air movement, and it looks good doing it.



Features and benefits

- 12-ft (3.7-m) diameter
- Suitable for ceilings as low as 14 feet (4.3 meters)
- Gearless direct drive motor for silent operation (< 35 dBA)
- Permanent magnets help reduce power consumption
- Onboard electric microprocessors offer multiple speed settings
- Wired wall controller
- Lightweight and easy to install
- 1 year warranty



Technical Specifications

Model	E12
Number and type of airfoils	6 Mini-Ellipto airfoils
Airfoil finish (standard)	Clear anodized
Winglet finish (standard)	Yellow
Fan diameter (A)	12 ft (3.7 m)
Fan weight (as shown with 2-ft extension tube)	79 lb (36 kg)
Prime mover (standard color)	Gearless direct drive (yellow)
Maximum speed	85 RPM
Input power and required breaker	100–125 VAC, 1 Φ , 50/60 Hz, 10 A
Minimum airfoil clearances required	10 ft (3 m) above floor 2 ft (0.6 m) on sides 2 ft (0.6 m) below ceiling deck
Standard extension tube length	2 ft (0.6 m)
Extension tube length options	2–15 ft (0.6–4.6 m) included
Wired wall controller	Mount in standard single-gang junction box or to surface of wall Connects to fan with 10-V CAT5 cable and RJ45 connector
Sound level at maximum speed*	< 35 dBA
Certifications (entire fan)	TUV-certified to UL 507 and CSA 22.2 No. 113
Environment	Indoor use only
Warranty**	1 year warranty

* Actual results of sound measurements in the field may vary due to sound reflective surfaces and environmental conditions.
 ** 1 year parts, lifetime airfoils and hub. Warranties vary by country. See complete warranty for details.

Accessories

Variable Speed Wired Wall Control



Standard Color Options



Silver with yellow trim and yellow drive

